

# CHIEF SERIES owner's manual

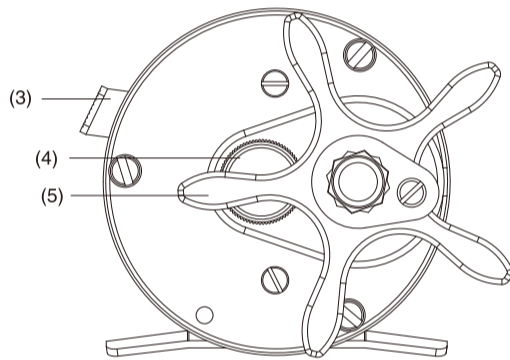
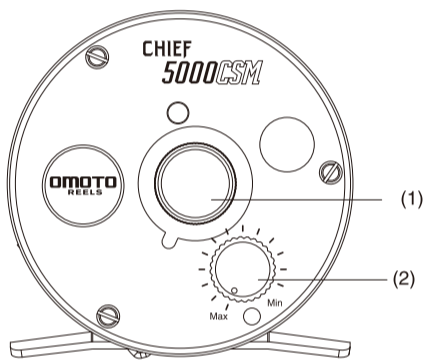
5000CS,5000CSM,5001CS,5001CSM



www.omoto.com.tw

**Congratulations** on your purchase of an OMOTO Reel. OMOTO Reels are simple to operate, even though they are precision machined instruments. Before using your OMOTO Reel, please take a few moments to read this instruction guide as it will help you to get the best performance.

**WARRANTY:**OMOTO warrants to the original purchaser that this product will be free from non-conformities in material or workmanship for the period of one year form the date of purchase. Please keep your receipt for all warranty claims. To request warranty repairs ( or non-warranty service) send your reel, postage to **OMOTO agent nearest you or headquarters in Taiwan.**

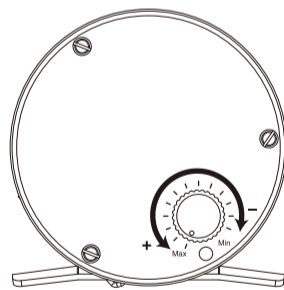


- (1) Mechanical brake
- (2) Mag brake (CSM models)

- (3) Free spool button
- (4) Mechanical brake (Right)
- (5) Adjustment star of drag

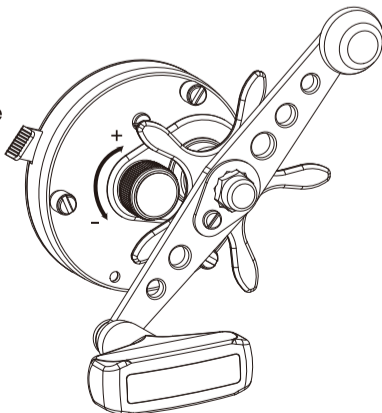
### MAG BRAKE (selected models):

OMOTO's Mag Brake combines the magnetic brake and mechanical brake into one, easy adjusting dial. With the rod, reels, line and lure properly assembled, depress the spool and set the Mag Brake so the lure DOES NOT drop under its own weight or at the maximum setting. Maximize casting distance by reducing the brake one to two clicks at a time.



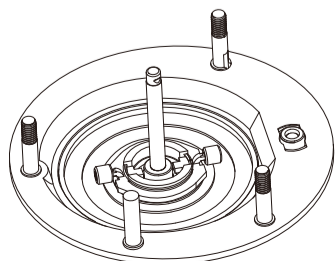
### MECHANICAL BRAKE (Right side)

For maximum casting distance and minimal tendency to over run it is necessary to adjust the mechanical brake to the weight of the lure. With the rod-reel-line-lure properly assembly, depress the spool and set the mechanical brake so that the lure slowly descends approximately 25cm (10") when the rod tip is flexed gently. If the lure does not move the mechanical brake is too tight. If it falls to the ground the brake is too loose.



### CENTRIFUGAL BRAKE

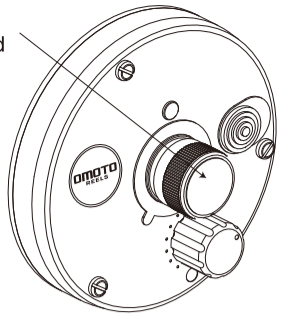
Centrifugal brake weights are snapped onto retainer pins attached to the spool. As the spool spins, centrifugal force creates pressure from the weights on the brake drum attached to the frame.This pressure prevents the spool from over running at the start of the cast. Be sure to slide the brake weights inward on their pins before re-assembling your reel.



### MECHANICAL BRAKE (Left side)

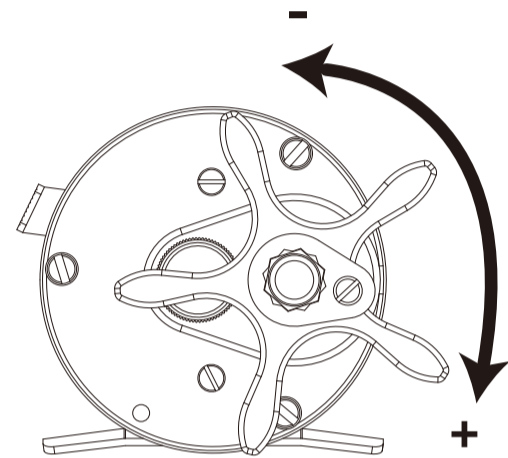
The Mechanical brake adjustment on the left side plate and the centrifugal brake work together to virtually eliminate backlash.The speed of spool rotation and side play are adjustable with the calibrated dial on the side plate which serves as a memory device in matching various bait, line and rod combinations.

Starting with the scale set at the "0"position, gradually increase the setting until you reach the proper setting suited to your casting ability.



### DRAG-FOR HOOKING AND CONTROLLING HOOKED FISH

Set by turning the adjustment star on the side of the reel handle, the drag should be adjusted to approximately one third of the breaking test of the line being used. This is best done by tying the line to spring scales for precise adjustment. Be sure reel is first mounted on a rod and the line run through rod guides before tying to scales. The drag should always be released before the line reaches its breaking point. Some techniques require higher settings. Any adjustment above half the line strength risks line breakage.

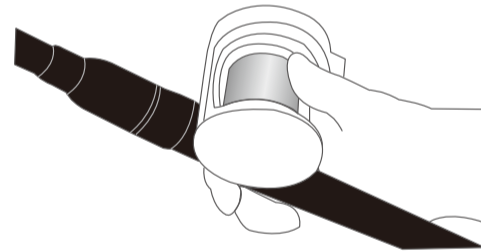


### BASIC CASTING

With a baitcaster, clamp the thumb of your rod hand hard on the spool to stop it turning, and put the reel into free-spool mode, with most baitcasters,clamping your thumb onto the spool depresses a bar that disengages it.

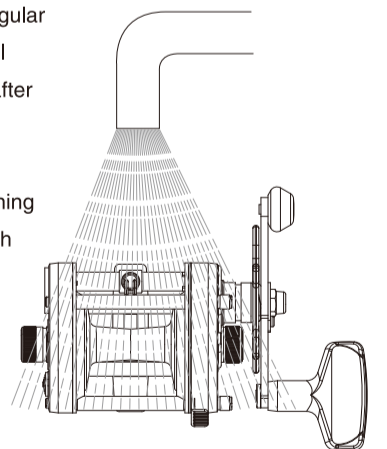
### LINE CONTROL:

To slow down a bait fished on a baitcaster, apply gentle thumb pressure to the revolving spool ( but beware of friction burns), overruns are rare with modern rels because they have magnetic braking systems.



### MAINTENANCE

As with any piece of precision product, your 6600 will require regular maintenance. Lack of this could void warranty. To keep your reel working at peak efficiency, it should be cleaned and lubricated after each use. Gently rinse the reel in fresh water, wipe it dry and lubricate according to the accompanying chart. At least once a season your reel should be disassembled for a a thorough cleaning and re-lubrication. Refer to the exploded parts view supplied with your reel.



### Lubrication:

