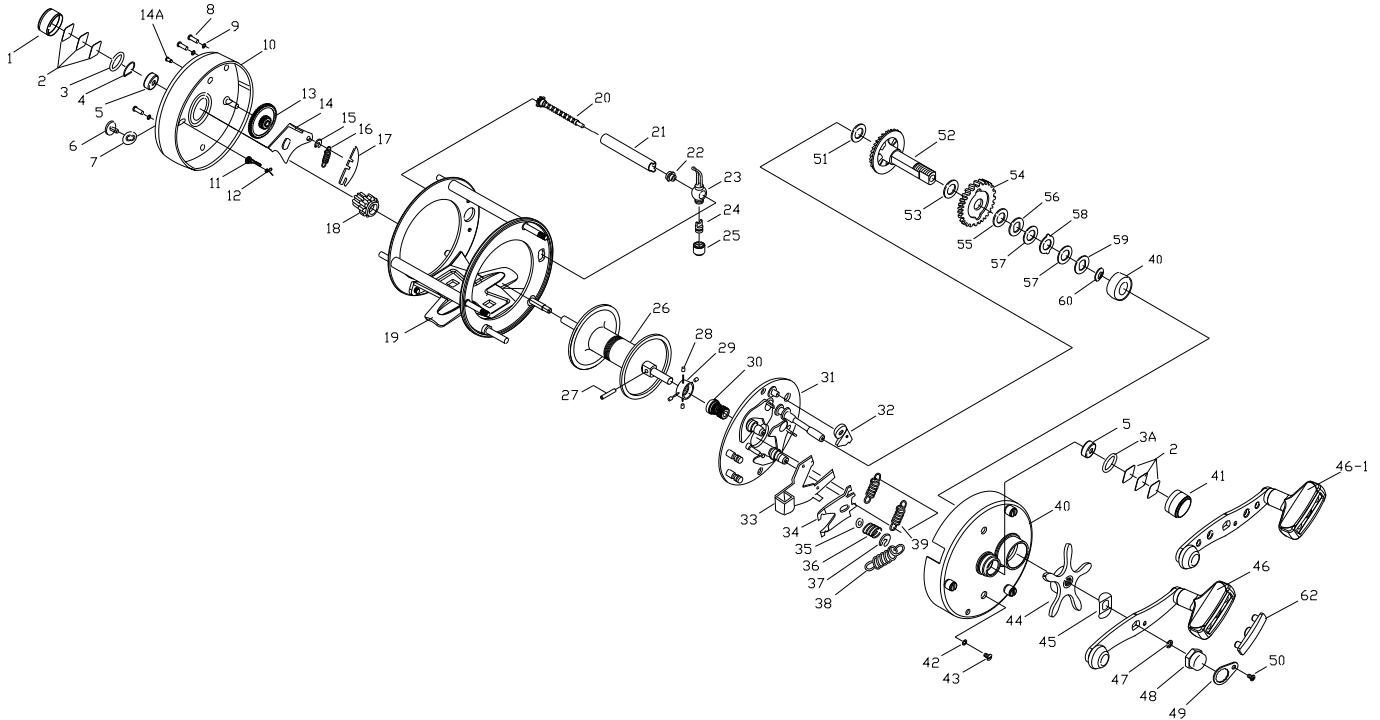




**OMOTO**<sup>®</sup>  
**REELS** MIT  
*The Advantage Over The Competition*

# PARTS LIST FOR **CHIEF 7000CS**



**NO Part Name**

- 1 Left Cast control Cap
- 2 Base Washer(x6)
- 3 O-ring
- 3A O-ring
- 4 Locking
- 5 Ball Bearing(x2)
- 6 Click switch
- 7 Washer
- 8 Screw(x3)
- 9 Washer(x3)
- 10 Left side plate
- 11 Click pawl
- 12 Click pawl spring
- 13 Oscillation cog. wheel
- 14 Click retainer
- 14A Rivet
- 15 E-Clip
- 16 Spring
- 17 Lock plate
- 18 Line alarm cog wheel
- 19 Frame assembly
- 20 Worm shaft assembly

**NO Part Name**

- 21 Line Guide
- 22 Bushing
- 23 Level wind assembly
- 24 Level wind pawl
- 25 Level wind nut
- 26 Spool assembly
- 27 Pin
- 28 Brake pin
- 29 Brake centre assembly
- 30 Pinion
- 31 Brake Plate assembly
- 32 A/R pawl
- 33 Release trigger
- 34 Clutch arm
- 35 Washer
- 36 Coil spring
- 37 Retainer
- 38 Spring to release trigger
- 39 Spring to lockhandle(x2)
- 40 Right side plate assembly + one-way bearing
- 41 Right cast control cap

**NO Part Name**

- 42 Protecting washer(x2)
- 43 Screw(x2)
- 44 Star drag
- 45 Spacer
- 46 Single handle assembly
- 46-1 Single handle assembly
- 47 E.Clip
- 48 Handle nut
- 49 Handle nut retainer
- 50 Handle nut retainer screw
- 51 Spring washer
- 52 Drive shaft assembly
- 53 Drive washer
- 54 Main gear assembly
- 55 Drag washer
- 56 Key washer
- 57 Drag washer
- 58 Eared friction washer
- 59 Key washer
- 60 Spring washer
- 62 Handle knob cap