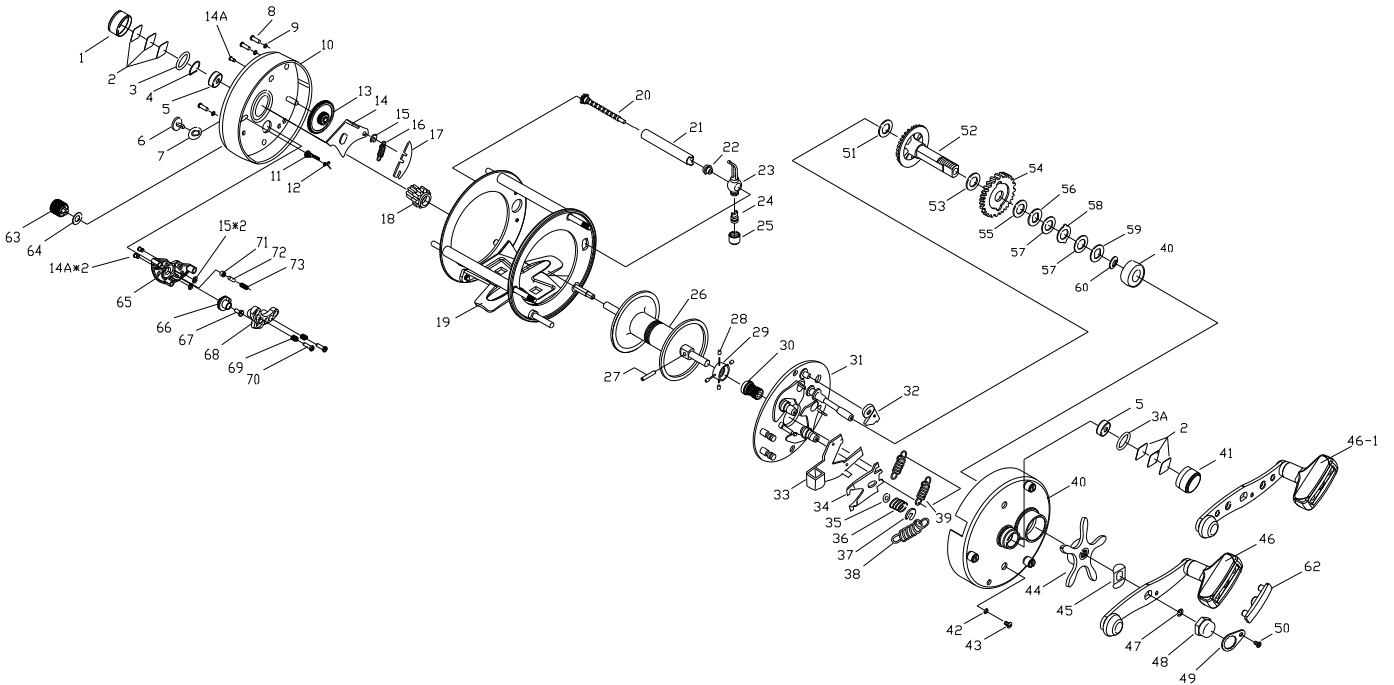




OMOTO[®]
REELS MIT
The Advantage Over The Competition

PARTS LIST FOR CHIEF 7000CSM



NO	Part Name
1	Left cast control cap
2	Base washer(x6)
3	O-ring
3A	O-ring
4	Locking
5	Ball bearing(x2)
6	Click switch
7	Washer
8	Screw(x3)
9	Washer(x3)
10	Left side plate
11	Click pawl
12	Click pawl spring
13	Oscillation cog. wheel
14	Click retainer
14A	Rivet
15	E-Clip
16	Spring
17	Lock plate
18	Line alarm cog wheel
19	Frame assembly
20	Worm shaft assembly
21	Line guide
22	Bushing
23	Level wind assembly
24	Level wind pawl

NO	Part Name
25	Level wind nut
26	Spool assembly
27	Pin
28	Brake pin
29	Brake centre assembly
30	Pinion
31	Brake plate assembly
32	A/R pawl
33	Release trigger
34	Clutch arm
35	Washer
36	Coil spring
37	Retainer
38	Spring to release trigger
39	Spring to lockhandle(x2)
40	Right side plate assembly + one-way bearing
41	Right cast control cap
42	Protecting washer(x2)
43	Screw(x2)
44	Star drag
45	Spacer
46	Single handle assembly
46-1	Single handle assembly
47	E.Clip
48	Handle nut

NO	Part Name
49	Handle nut retainer
50	Handle nut retainer screw
51	Spring washer
52	Drive shaft assembly
53	Drive washer
54	Main gear assembly
55	Drag washer
56	Key washer
57	Drag washer
58	Eared friction washer
59	Key washer
60	Spring washer
62	Handle knob cap
63	Switch
64	Washer
65	Magnetic seat
66	Lifter
67	Screw
68	Magnetic assembly
69	Spring (x2)
70	Screw (x2)
71	Click
72	Pin
73	Spring