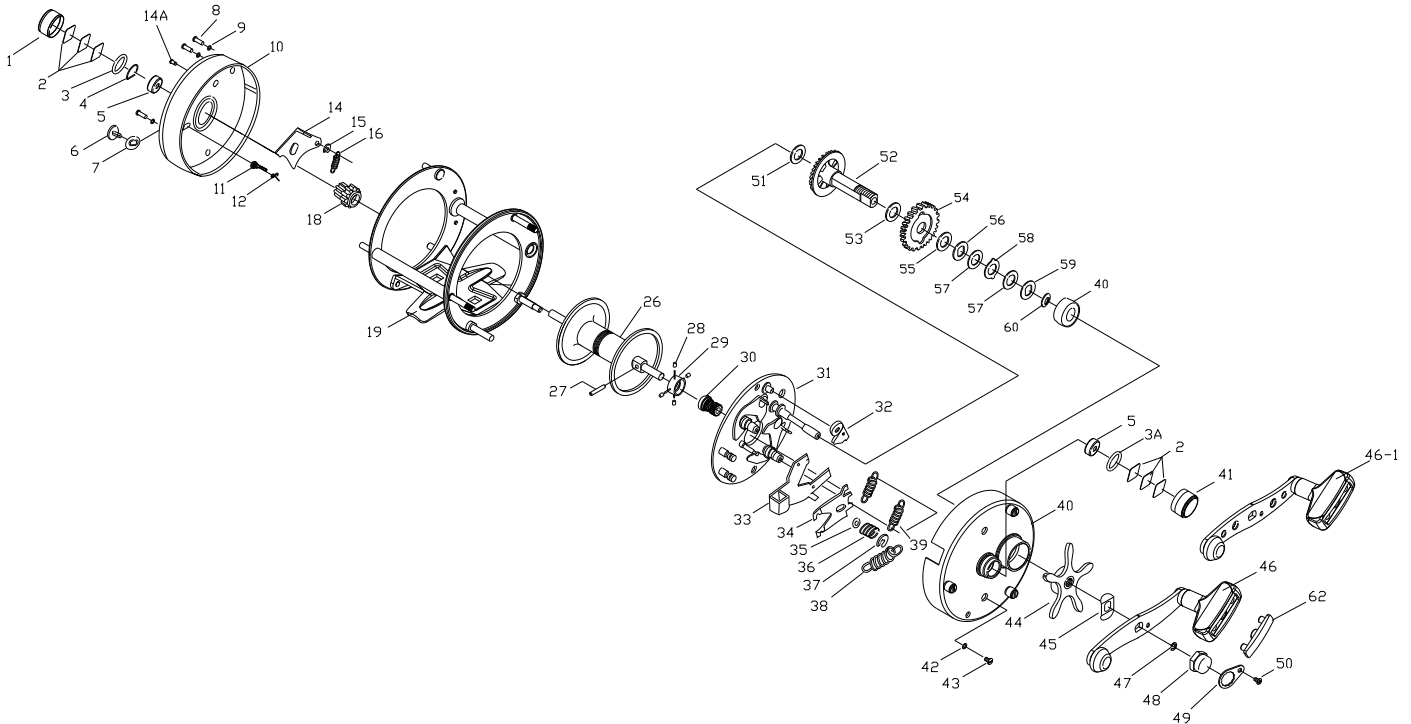




OMOTO[®]
REELS
The Advantage Over The Competition

PARTS LIST FOR CHIEF 7000CT



NO	Part Name	NO	Part Name	NO	Part Name
1	Left cast control cap	26	Spool assembly	44	Star drag
2	Base Washer(x6)	27	Pin	45	Spacer
3	O-ring	28	Brake pin	46	Single handle assembly
3A	O-ring	29	Brake centre assembly	46-1	Single handle assembly
4	Locking	30	Pinion	47	E.Clip
5	Ball bearing(x2)	31	Brake plate assembly	48	Handle nut
6	Click switch	32	A/R pawl	49	Handle nut retainer
7	Washer	33	Release trigger	50	Handle Nut Retainer screw
8	Screw(x3)	34	Clutch arm	51	Spring washer
9	Washer(x3)	35	Washer	52	Drive shaft assembly
10	Left side plate	36	Coil spring	53	Drive washer
11	Click pawl	37	Retainer	54	Main gear assembly
12	Click pawl spring	38	Spring to release trigger	55	Drag washer
14	Click retainer	39	Spring to lockhandle(x2)	56	Key washer
14A	Rivet	40	Right side plate assembly + one-way bearing	57	Drag washer
15	E-Clip	41	Right cast control cap	58	Eared friction washer
16	Spring	42	Protecting washer(x2)	59	Key washer
18	Line alarm cog wheel	43	Screw(x2)	60	Spring washer
19	Frame assembly			62	Handle knob cap