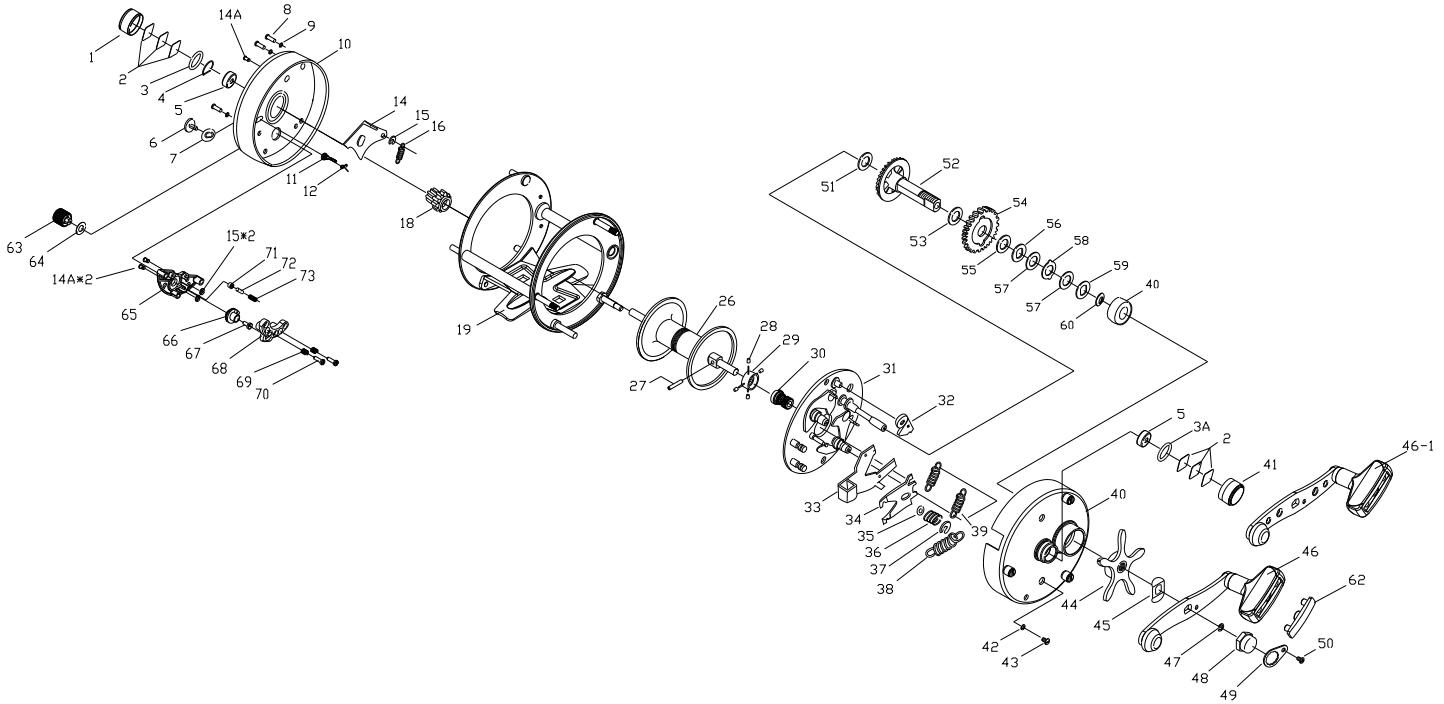




OMOTO[®]
REELS
The Advantage Over The Competition

PARTS LIST FOR CHIEF 7000CTM



NO Part Name

- 1 Left cast control cap
- 2 Base washer(x6)
- 3 O-ring
- 3A O-ring
- 4 Locking
- 5 Ball bearing(x2)
- 6 Click switch
- 7 Washer
- 8 Screw(x3)
- 9 Washer(x3)
- 10 Left side plate
- 11 Click pawl
- 12 Click pawl spring
- 14 Click retainer
- 14A Rivet(x3)
- 15 E-Clip(x3)
- 16 Spring
- 18 Line alarm cog wheel
- 19 Frame assembly
- 26 Spool assembly
- 27 Pin
- 28 Brake pin
- 29 Brake centre assebmly

NO Part Name

- 30 Pinion
- 31 Brake Plate assembly
- 32 A/R pawl
- 33 Release trigger
- 34 Clutch arm
- 35 Washer
- 36 Coil spring
- 37 Retainer
- 38 Spring to release trigger
- 39 Spring to lockhandle(x2)
- 40 Right side plate assembly
+ one-way bearing
- 41 Right cast control cap
- 42 Protecting washer(x2)
- 43 Screw(x2)
- 44 Star drag
- 45 Spacer
- 46 Single handle assembly
- 46-1 Single handle assembly
- 47 E.Clip
- 48 Handle nut
- 49 Handle nut retainer
- 50 Handle nut retainer screw

NO Part Name

- 51 Spring Washer
- 52 Drive Shaft Assembly
- 53 Drive washer
- 54 Main gear assembly
- 55 Drag washer
- 56 Key washer
- 57 Drag washer
- 58 Eared friction washer
- 59 Key washer
- 60 Spring washer
- 62 Handle knob cap
- 63 Switch
- 64 Washer
- 65 Magnetic seat
- 66 Lifter
- 67 Screw
- 68 Magnetic Assembly
- 69 Spring (x2)
- 70 Screw(x2)
- 71 Click
- 72 Pin
- 73 Spring